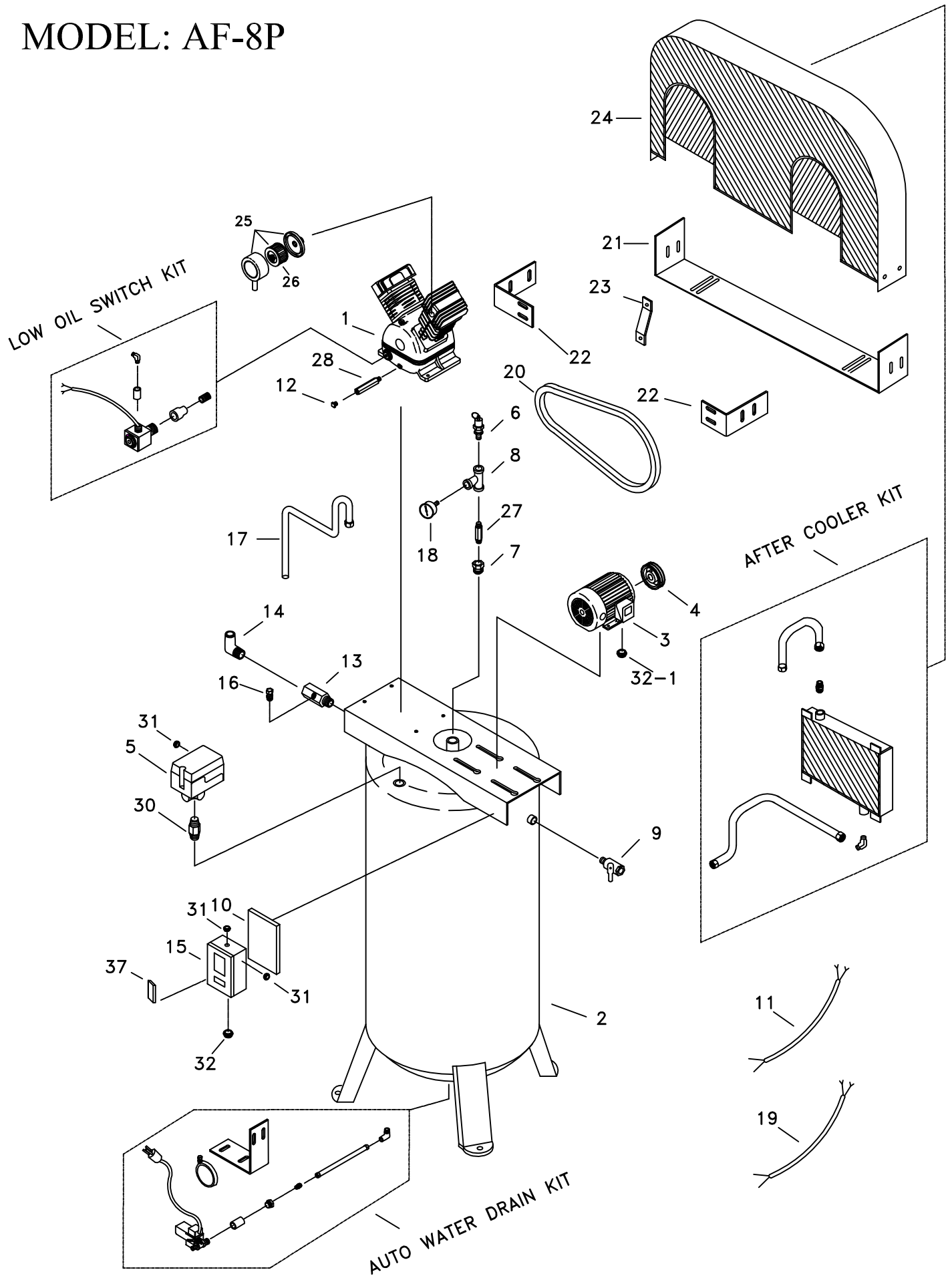
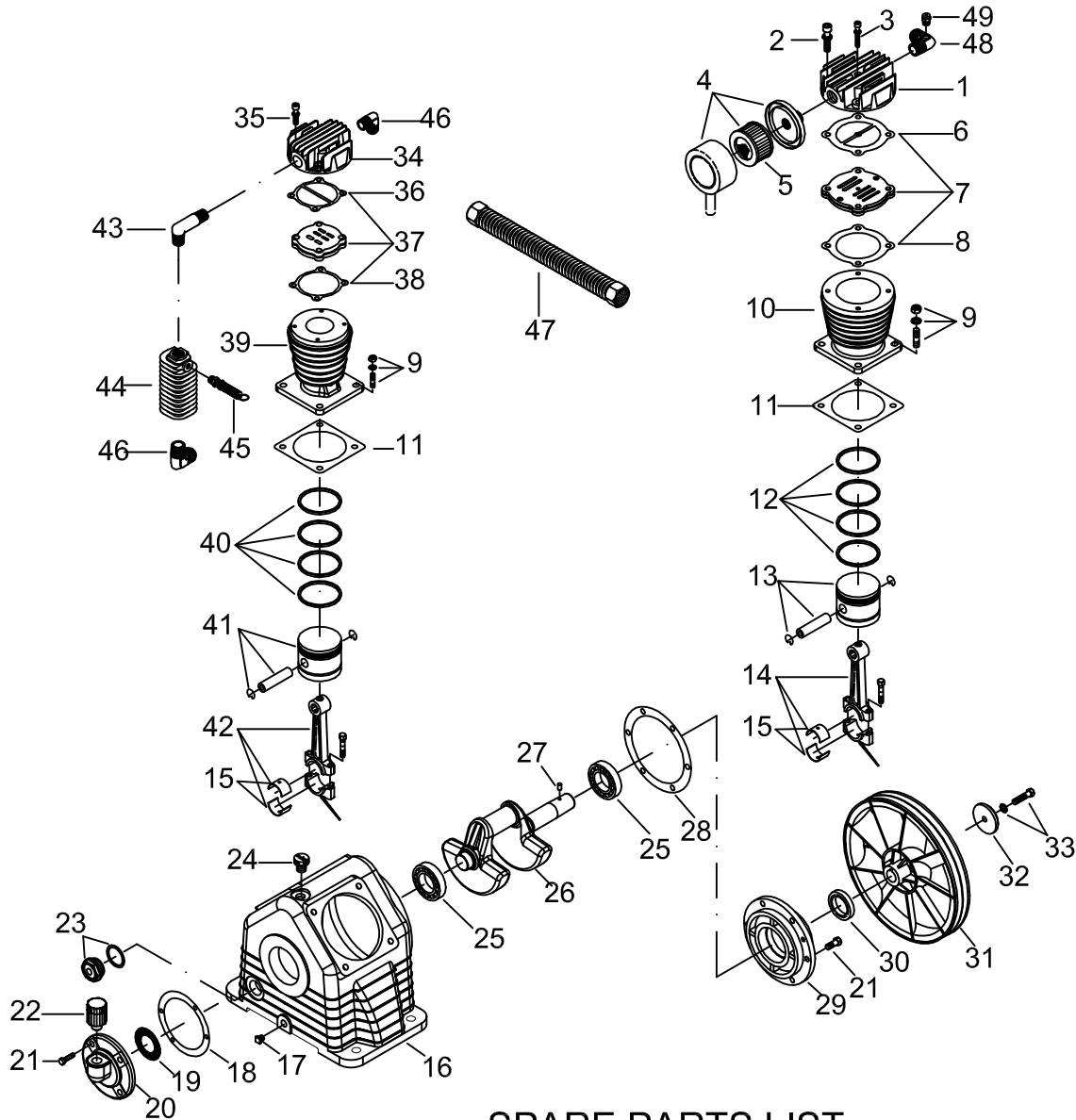


MODEL: AF-8P



REF. NO.	ITEM NUMBER	DESCRIPTION	QTY.
1	CT51	PUMP	1
2	4001-80V	TANK	1
3	4027-50-41	MOTOR	1
4	2BH88	PULLEY	1
4	048A-H11SS-000	PULLEY BUSHING	1
5	84016009	PRESSURE SWITCH (P.S.)	1
5	2B14-ST02E	PLUG	3
6	84006010	PRESSURE RELIEF VALVE	1
7	050-06MN02FN	BUSHING	1
8	067-02FFFNB-00	TEE	1
9	2413007	SERVICE VALVE	1
10	3417010	BRACKET (FOR STARTER)	1
11	025K-A10W3X1450	CABLE (M.S. to MOTOR)	1
12	2N33-002	PLUG	1
13	CV3434M	CHECK VALVE	1
14	2N06-06T06H	ELBOW	1
15	MS-50-1	MAGNETIC STARTER	1
16	035-02RN01MN-00	NIPPLE	1
17	063-CU01X865	UNLOADING TUBE	1
18	2D12-20D20K	PRESSURE GAUGE	1
19	2E02-3530702Y2F	CABLE (P.S. to M.S.)	1
20	2N31-A68	V-BELT	2
21	3427202	BELT GUARD BOTTOM COVER	1
22	3427028	BRACKET	2
23	3427015	BRACKET - CENTER	1
24	3426024	BELT GUARD	1
25	2140009A	AIR FILTER ASSEMBLY	1
26	1801	FILTER ELEMENT	1
27	035-02NX30-R00	NIPPLE	1
28	2305010	OIL DRAIN TUBE	1
30	2N01-026	NIPPLE	1
31	025A-03N-000	WIRE CLAMP	3
32	025A-06N-000	WIRE CLAMP	1
32-1	025A-10N-000	WIRE CLAMP	1
33	B-40	HEATER ELEMENT (FUSE)	1
	059-404010	VIBRATION DAMPER	4
	064K-LOSK-V000	Low Oil Switch Kit	1
	001K-020CFM-V002	Belt Guard After Cooler Kit	1
	022K-EDV-V003	Automatic Water Drain Valve Kit	1

MODEL : CT51



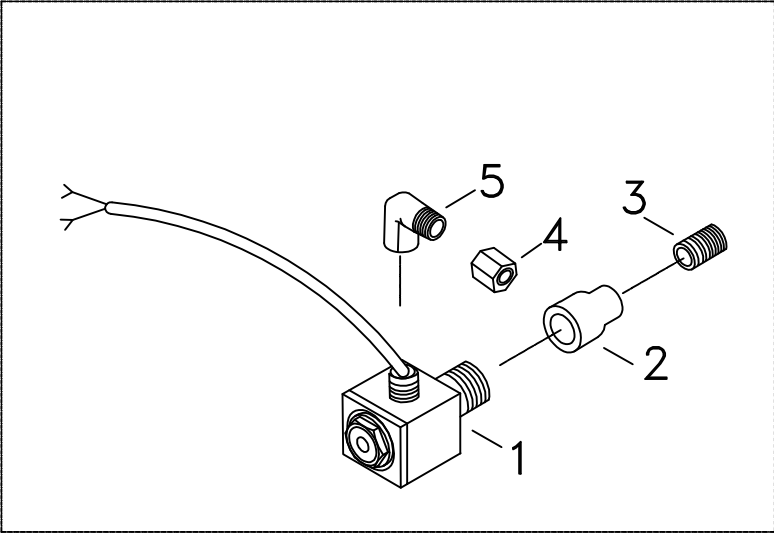
SPARE PARTS LIST

NO: MP-0410

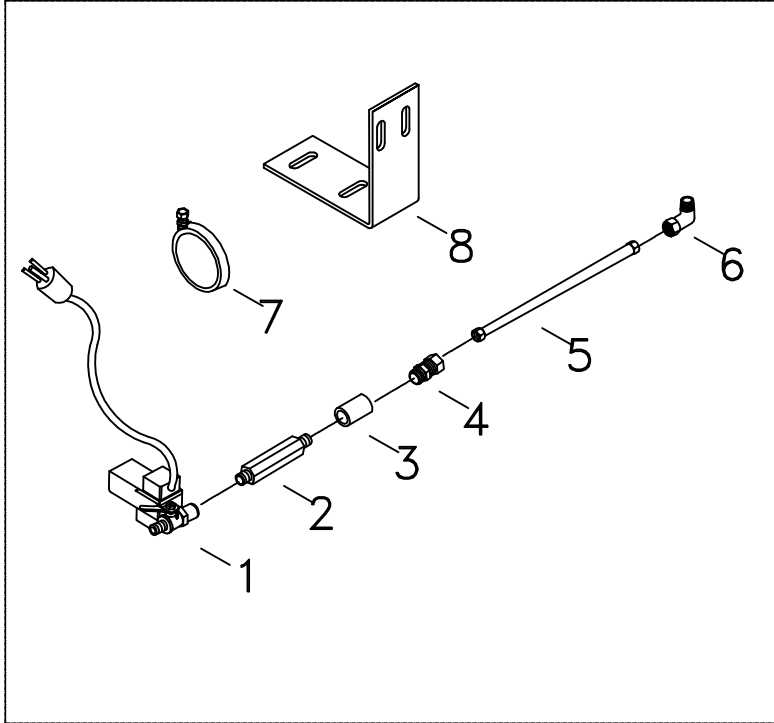
REF. NO.	DESCRIPTION	PART NO.	QTY	REF. NO.	DESCRIPTION	PART NO.	QTY.
1	Cylinder head	3101070	1	26	Crankshaft & Counterweight	3304093	1
2	Hex Socket Bolt (Allen bolt)	2B01-M10*050V	4	27	Pulley key	2N47-63*09	1
3	Hex Socket Bolt (Allen bolt)	2B01-M06*050V	4	28	Rear bearing end gasket	2G06-022	1
4	Air filter Assembly	2140009A	1	29	Rear bearing end	3311032	1
5	Filter element	1801 (2142002)	1	30	Oil seal	2N50-TC30*50*11	1
6	Cylinder head gasket	2G01-029	1	31	Pulley	3PBF-160A230	1
7	In. & Ex. valve assembly	3B13-K9595	1	32	Flat washer	2B34-13*52*14	1
8	Valve plate gasket	2G03-020	1	33	Hex bolt	2B00-SM12*050V	1
9	Stud Screw	2B11-003-A	8	34	Cylinder head	3101069	1
10	Cylinder	3201076	1	35	Hex Socket Bolt (Allen bolt)	2B01-M06*040V	4
11	Cylinder gasket	2G04-023	2	36	Cylinder head gasket	2G01-015	1
12	Piston ring kit	3B32-CK7595	1	37	In. & Ex. valve assembly	3B13-K5151	1
13	Piston kit	3B31-CK7595	1	38	Valve plate gasket	2G03-011	1
14	Rod kit	3B33-CK7548	1	39	Cylinder	3201077	1
15	Bearing (Rod bushing)	2316010-B	2	40	Piston ring kit	3B32-CT5051	1
16	Crankcase	3301112	1	41	Piston kit	3B31-CT5051	1
17	Plug - Oil draining	2N33-002	1	42	Rod kit	3B33-CT5048	1
18	Front bearing end gasket	2G05-017	1	43	Elbow	2N06-06T06T85	1
19	Oil mesh	2352001	1	44	Intercooler	3125001	1
20	Front bearing end	3309033	1	45	Pressure relief valve	2406021T	1
21	Hex bolt	2B00-SM08*025	10	46	Elbow	2N06-06T06H	2
22	Breather	2321008	1	47	Discharge tube	3B2-06*610	1
23	Oil sight gauge kit	2303014A	1	48	Elbow	2N06-06T06H02T	1
24	Oil filling Cap kit	2319003A	1	49	Auto relief valve (10 PSI)	2409003	1
25	Bearing	2N35-6206	2				

Premium Packages

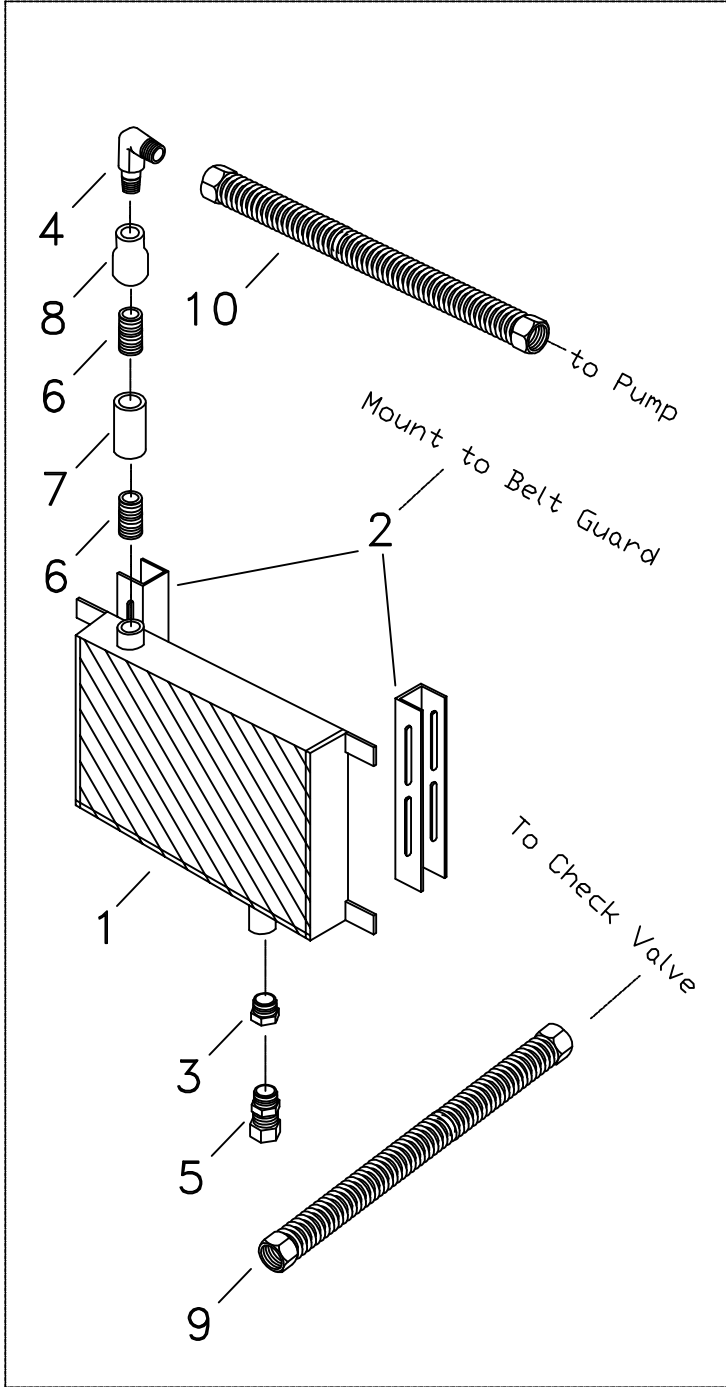
Low Oil Switch Kit



Automatic Water Drain Valve Kit



Belt Guard After Cooler Kit



PREMIUM PACKAGES

LOW OIL SWITCH KIT (#: 064K-LOSK-V000)

REF. NO.	ITEM NUMBER	DESCRIPTION	QTY.
1	3353101	LOW OIL SHUT OFF SWITCH (w/o Adaptor)	1
2	077-10N06N-000	COUPLING	1
3	035-06N-C00	CLOSE NIPPLE	1
4	2N23-FW02	NUT	1
5	024-01MFN90D-00	STREET ELBOW	1

BELT GUARD AFTER COOLER KIT (#: 001K-020CFM-V004)

REF. NO.	ITEM NUMBER	DESCRIPTION	QTY.
1	001-020CFM-002	AFTER COOLER	1
2	3421002	MOUNTING BRACKET	2
3	050-10MN06FN	REDUCE BUSHING	1
4	2N06-06T06H	ELBOW	1
5	2N01-009	TUBE FITTING	1
6	035-10N-C00	CLOSE NIPPLE	2
7	077-10N-000	COUPLING	1
8	077-10N06N-000	COUPLING	1
9	3B2-06570	DISCHARGE TUBE (PUMP to AFTER COOLER INLET)	1
10	3B2-06590	DISCHARGE TUBE (A. COOLER OUTLET to CHECK VALVE)	1

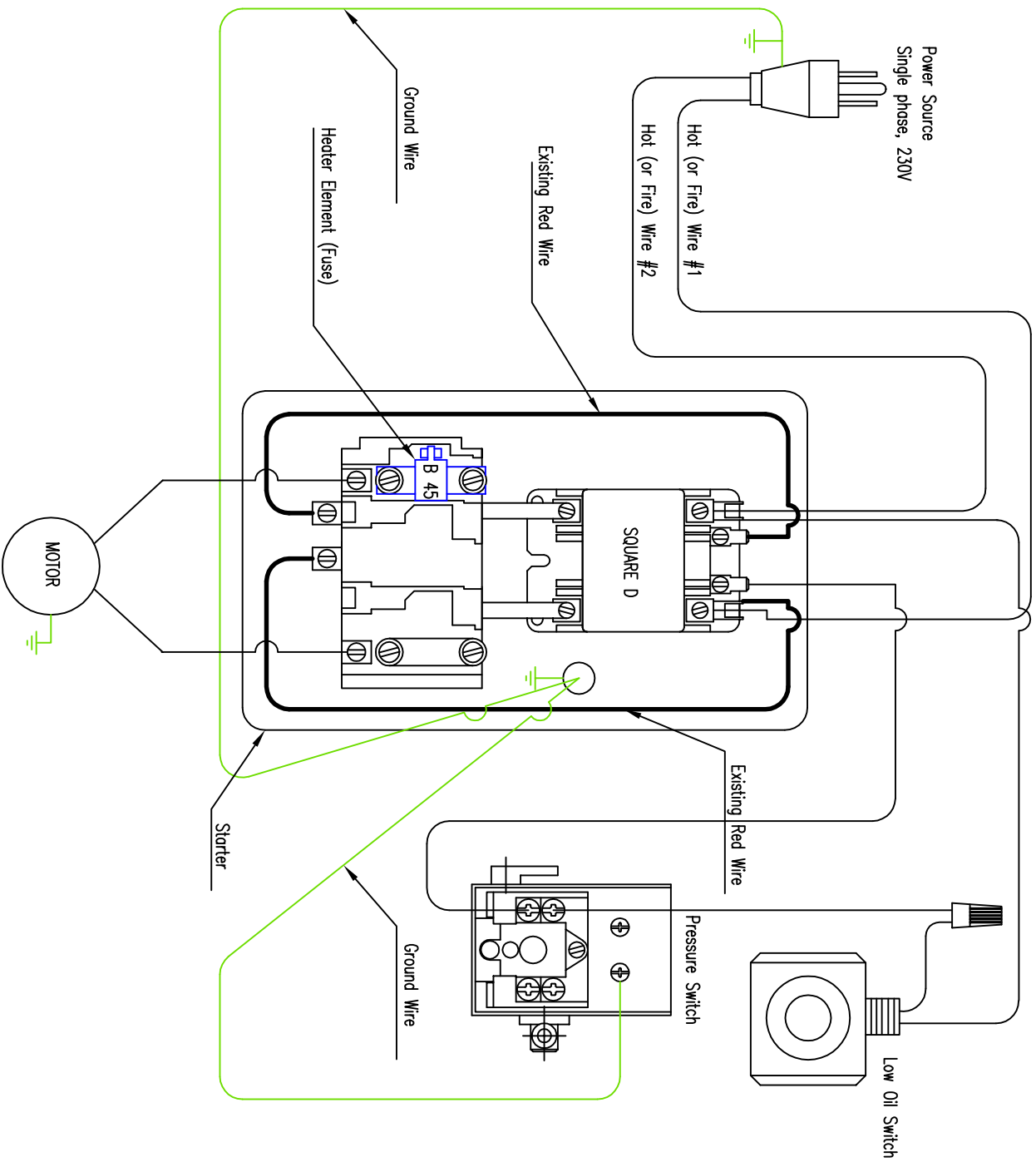
AUTOMATIC WATER DRAIN VALVE KIT (#: 022K-EDV-V003)

REF. NO.	ITEM NUMBER	DESCRIPTION	QTY.
1	2405302	AUTO WATER DRAIN VALVE w/ TIMER	1
2	2N01-008	NIPPLE	1
3	077-02N-000	COUPLING	1
4	035-03RN02MN-00	NIPPLE	1
5	063-NL03X300	SOFT TUBE	1
6	024-03RN02MN-00	ELBOW (MOUNT TO DRAIN PORT OF TANK)	1
7	063C-M51-001	CLAMP	1
8	3427008	BRACKET	1

Warning: This diagram is for your reference only. Please check with a qualified electrician for wiring to meet your local electrical wiring code.

Manufacturer assumes no responsibility for changes to factory wiring.

Wiring Schematic For following Models: AF-8P, AF-9P, AF-9P/17



Warning: This diagram is for your reference only. Please check with a qualified electrician for wiring to meet your local electrical wiring code.

Manufacturer assumes no responsibility for changes to factory wiring.

Electrical Circuit Diagram:

