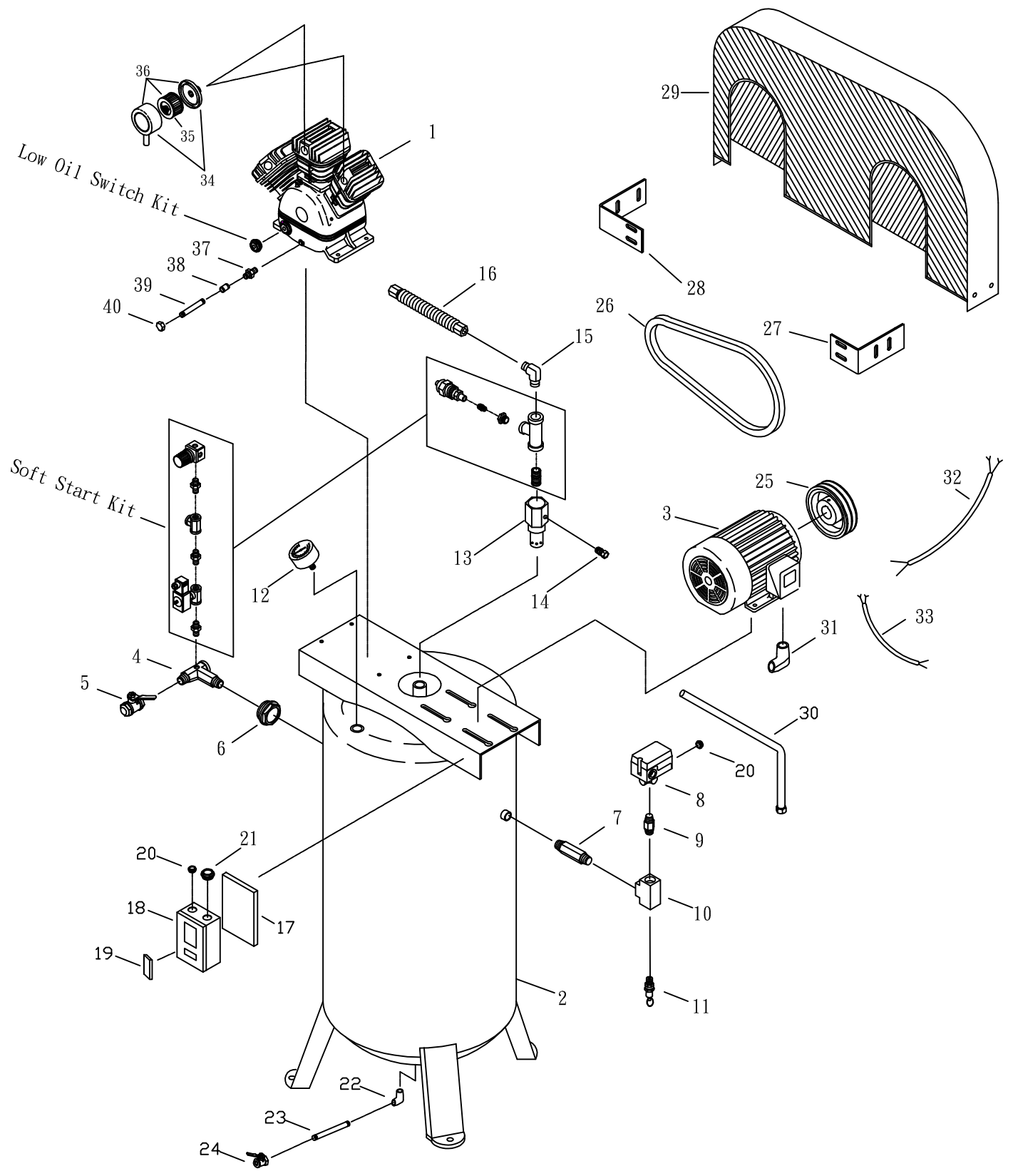


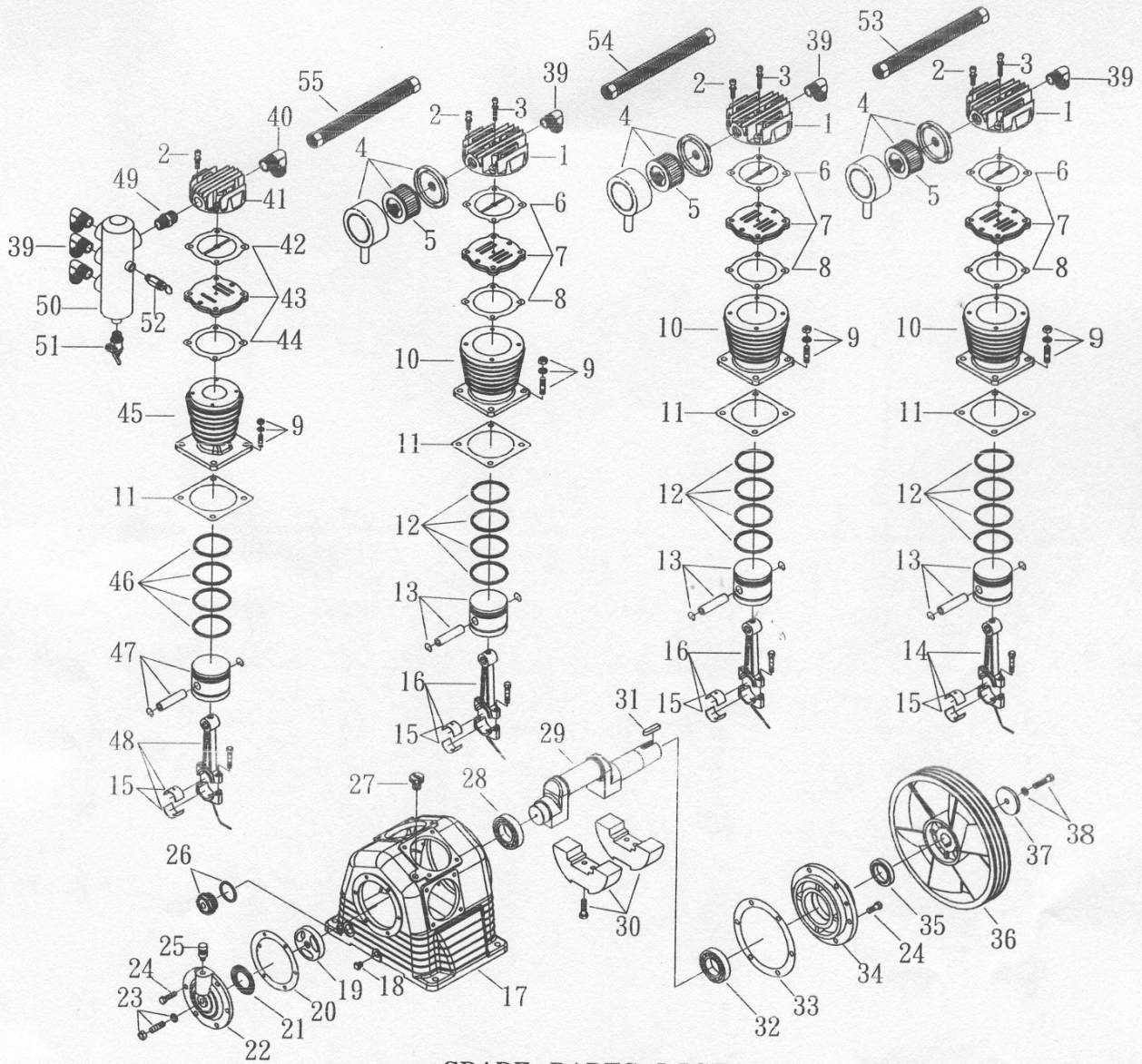
# TN-150120VM3



## PARTS LIST

REF. NO.	PARTS ID	DESCRIPTION	QUANTITY
1	CUT150	PUMP	1.00
2	4001-120V	TANK	1.00
	050-20MN02FN	BUSHING (BOTTOM)	1.00
3	4027-150-43	MOTOR	1.00
4	3415009	MANIFOLD	1.00
	2B14-ST02E	PLUG	1.00
5	2413002	SERVICE VALVE	1.00
6	050-20MN04FN	BUSHING (LEFT)	1.00
7	2N01-008	NIPPLE	1.00
8	056-LF175P1-M01	PRESSURE SWITCH	1.00
10	067-02FFFN0-00	TEE	1.00
11	84006010	PRESSURE RELIEF VALVE	1.00
12	2D12-25D20K	PRESSURE GAUGE	1.00
13	CV1010M	CHECK VALVE	1.00
14	035-02RN01MN-00	NIPPLE (STRAIGHT TUBE FITTING)	1.00
15	2N06-10T10H	ELBOW	1.00
16	2T02-100760	DISCHARGE TUBE	1.00
17	3417010	BRACKET - (for STARTER)	1.00
18	MS-150-3	MAGNETIC STARTER	1.00
19	B-36	HEATER ELEMENT (FUSE)	3.00
20	025A-03N-000	WIRE CLAMP	2.00
21	025A-10N-000	WIRE CLAMP	1.00
22	024-02MFN90D-00	ELBOW	1.00
23	035-02NX54-R00	NIPPLE	1.00
24	2413020N	DRAIN VALVE	1.00
25	3BSK94	PULLEY	1.00
25	048A-SK15SS-000	PULLEY BUSHING	1.00
26	2N31-B84	BELT (B84)	3.00
27	3427049	BRACKET (RIGHT)	1.00
28	3427048	BRACKET (LEFT)	1.00
29	3426048	BELT GUARD	1.00
30	063-CU01X700	TUBE (CHECK VALVE - PRESSURE SWITCH)	1.00
31	025A-10N90D-00	WIRE CLAMP (w/ 90 degree elbow)	1.00
32	025K-TN150120VM-V000	ELECTRIC CABLE (STARTER to MOTOR)	1.00
33	025K-A12W3-V003	ELECTRIC CABLE (STARTER to PRESSURE SWITCH)	1.00
34	2140011	AIR FILTER HOUSING	3.00
35	1809 (2142009)	FILTER ELEMENT	3.00
36	2140011A	AIR FILTER ASSEMBLY	3.00
37	035-03N02N-H00	NIPPLE	1.00
38	077-02N-000	COUPLING	1.00
39	035-02NX40-R00	NIPPLE	1.00
40	046-02NBC-H00	OIL CAP	1.00
	064K-LOSK-V000	LOW OIL SWITCH KIT	1.00
	SOL-VALVE_KIT-V013	SOFT START KIT	1.00

# MODEL : CT150



## SPARE PARTS LIST

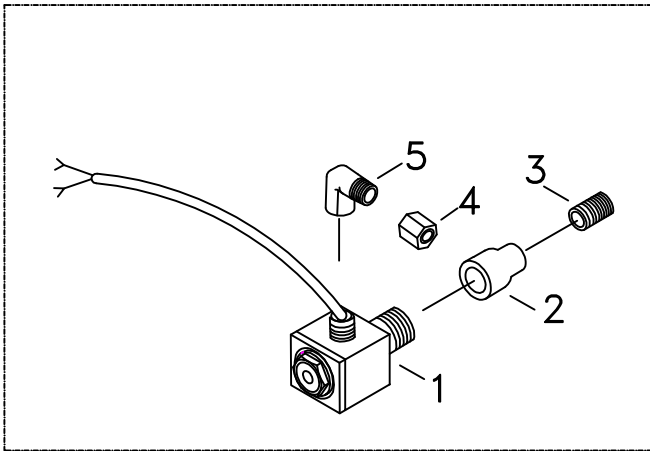
NO : MP-0410

REF. NO.	DESCRIPTION	PART NO.	QTY.	REF. NO.	DESCRIPTION	PART NO.	QTY.
1	Cylinder head	3101070	3	29	Crankshaft & balancer	3304099	1
2	Allen bolt set	2B01-M10*050V	16	30	Balancer set	3304058-A	1
3	Allen bolt set	2B01-M06*050Z	3	31	Pulley key	2N47-10*8*40	1
4	Air filter set	2140011	3	32	Bearing	2N35-32210	1
5	Filter element	2142009	3	33	Rear bearing seat gasket	2G06-015	1
6	Cylinder head gasket	2G01-029	3	34	Rear bearing seat	3311024	1
7	In. & Ex. valve assembly	3B13-K9595	3	35	Oil seal	2N50-TC50*72*12	1
8	Valve seat gasket	2G03-020	3	36	Pulley	3PBF-190B350	1
9	Double head screw set	2B11-003-A	16	37	Plate washer	2B34-13*75*13	1
10	Cylinder	3201076	4	38	Hexagon bolt set	2B00-SM12*050V	1
11	Cylinder gasket	2G04-023	3	39	Exhaust elbow	2N06-06T06H	6
12	Piston ring set	3B32-CK7595	3	40	Exhaust elbow	2N06-10T10H	1
13	Piston set	3B31-CK7595	3	41	Cylinder head	3101080	1
14	Rod set	3B33-CKA581	1	42	Cylinder head gasket	2G01-032	1
15	Rod bush(2 pieces)	2316008-B	4	43	In. & Ex. valve assembly	3B13-K7080	1
16	Rod set	3B33-CKA571	2	44	Valve seat gasket	2G03-022	1
17	Crankcase	3301120	1	45	Cylinder	3201084	1
18	Oil draining plug	2N33-003	1	46	Piston ring set	3B32-CK5080	1
19	Thrust block	3312004	1	47	Piston set	3B31-CKA580	1
20	Front bearing seat gasket	2G05-009	1	48	Rod set	3B33-CKA581	1
21	Oil mesh	2352003	1	49	Nipple	2N01-10T10T	1
22	Front bearing seat	3309012	1	50	Spare tank	3125011	1
23	Bolt set	2B07-SM16*40-A	1	51	Ball valve	2413010	1
24	Hexagon bolt	2B00-SM10*025	12	52	Pressure relief valve	2406020T	1
25	Breathing cover	2321008	1	53	Exhaust tube set	3B2-06*930	1
26	Oil sight gauge set	2303014A	1	54	Exhaust tube set	3B2-06*750	1
27	Oil filling plug set	2319003A	1	55	Exhaust tube set	3B2-06*570	1
28	Bearing	2N35-32209	1				

# Low Oil Switch Kit

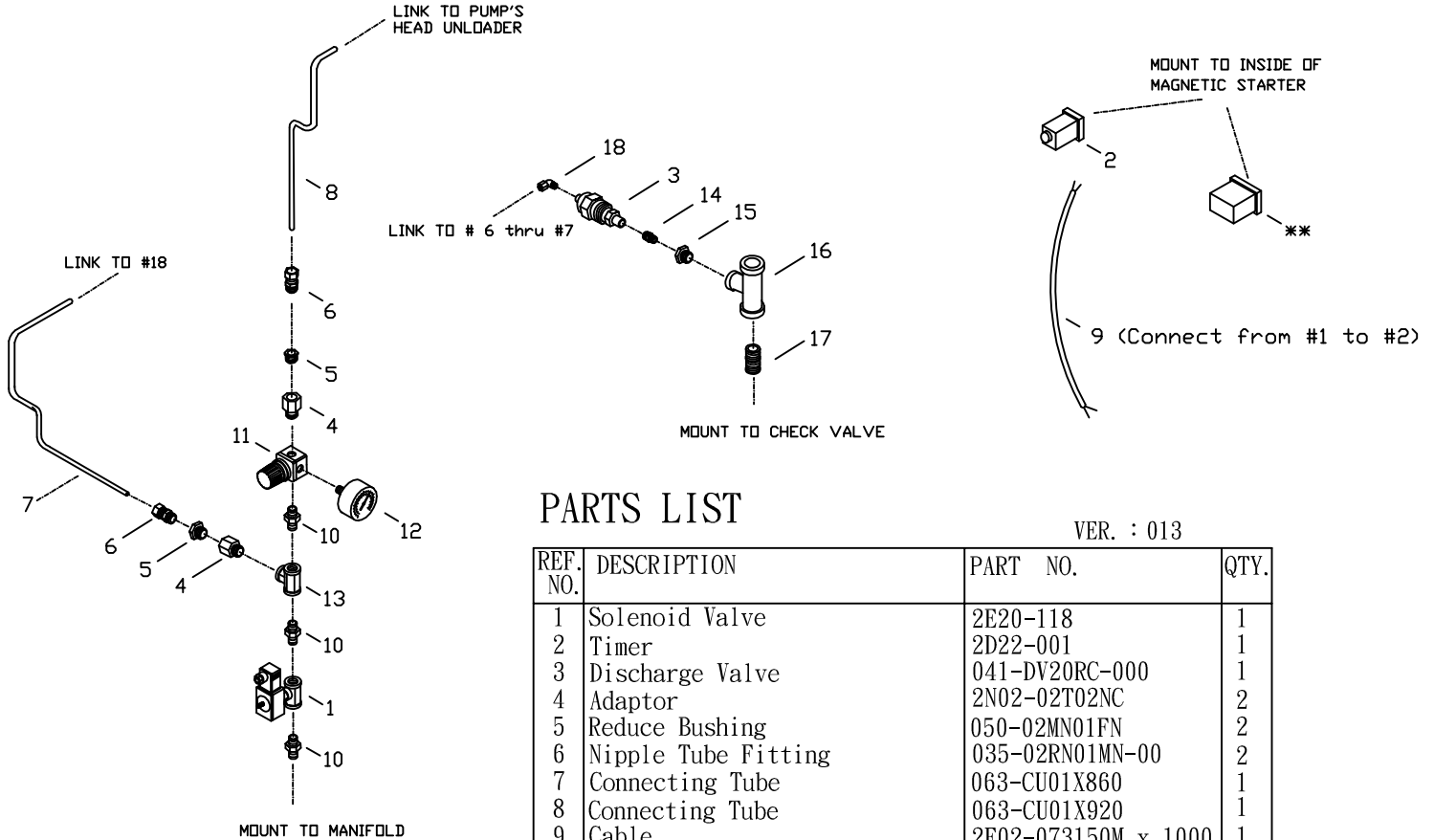
# Low Oil Switch Kit

VER. : 000



REF. NO.	DESCRIPTION	PART NO.	QTY.
1	Low Oil Shut Off Switch	3353101	1
2	Coupling	077-10N06N-000	1
3	Close Nipple	035-06N-C00	1
4	Nut	2N23-FW02	1
5	Street Elbow	024-01MFN90D-00	1

# Solenoid Valve Soft Start Kit Assembly (#: Sol-Valve\_Kit ver.013) For CUT pumps on 120V Tanks without After Cooler



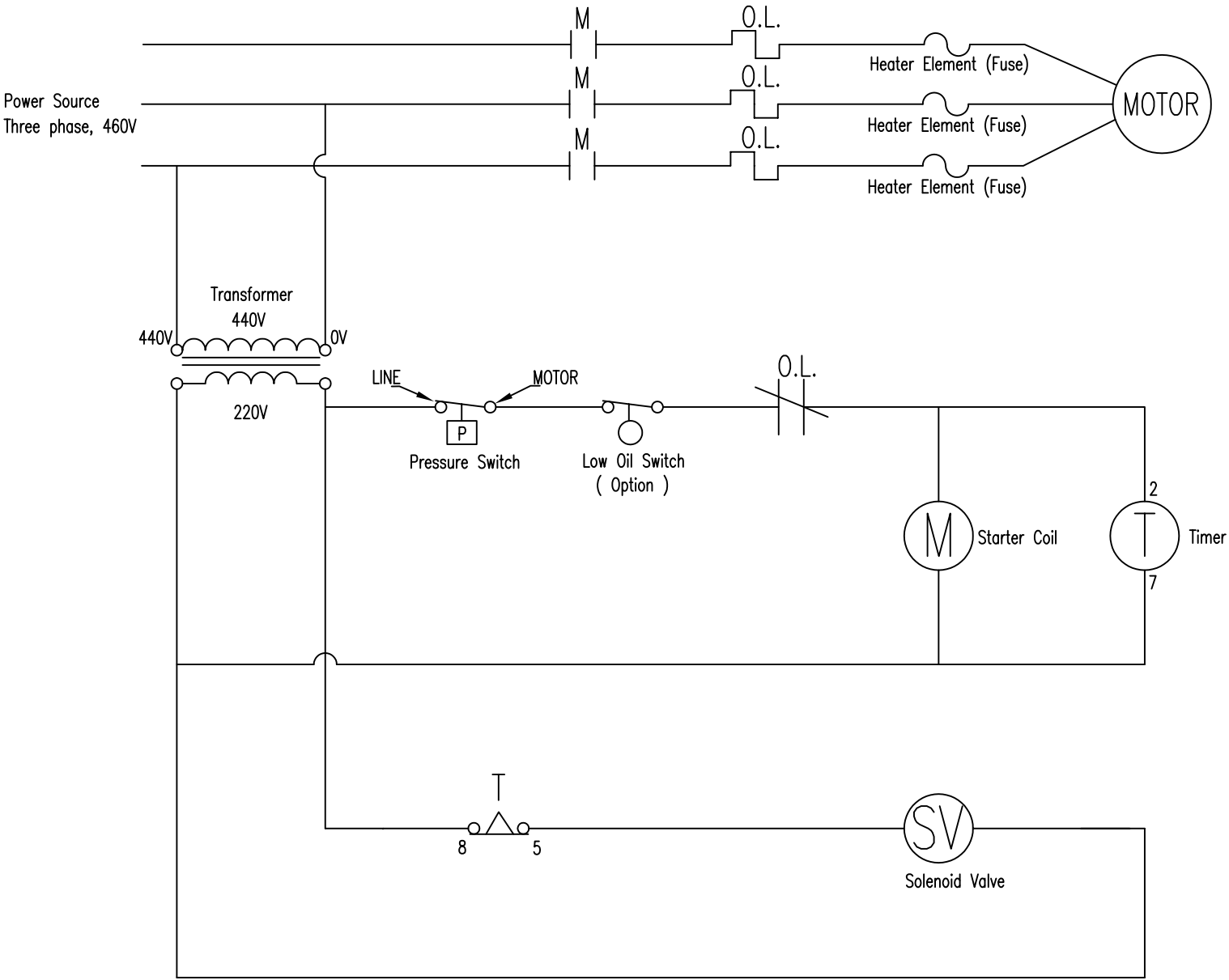
## PARTS LIST

VER. : 013

REF. NO.	DESCRIPTION	PART NO.	QTY.
1	Solenoid Valve	2E20-118	1
2	Timer	2D22-001	1
3	Discharge Valve	041-DV20RC-000	1
4	Adaptor	2N02-02T02NC	2
5	Reduce Bushing	050-02MN01FN	2
6	Nipple Tube Fitting	035-02RN01MN-00	2
7	Connecting Tube	063-CU01X860	1
8	Connecting Tube	063-CU01X920	1
9	Cable	2E02-073150M x 1000	1
10	Nipple	2N01-001	3
11	Regulator (set @ 110 psi)	2408003	1
12	Pressure Gauge	2D12-15D11K	1
13	Tee	2N03-C222TF	1
14	Nipple	035-02Nx10-H00	1
15	Reduce Bushing	050-04MN02FN	1
16	Tee	067-10FFN04FN-0	1
17	Close Nipple	035-10N-C00	1
18	Elbow Tube Fitting	024-02RN01MN-00	1
**	Transformer (460V - 230V)	2E32-033	1
Only needed when 460V power source is used.			

Electrical Circuit Diagram: For using 230V 3 Phase Starter on 460V 3 Phase Power Source and Motor

Warning: This diagram is for your reference only. Please check with a qualified electrician for wiring to meet your local electrical wiring code. Manufacturer assumes no responsibility for changes to factory wiring.



# Instructions

1. This unit was configured to use **460V, 3 Phase** power.
2. The turning directions of Electric Motor and Pump must be **Clockwise** if you face from the front side (the side with PUMA label) of the unit.
3. Make all electrical wirings inside this box (Starter) only.