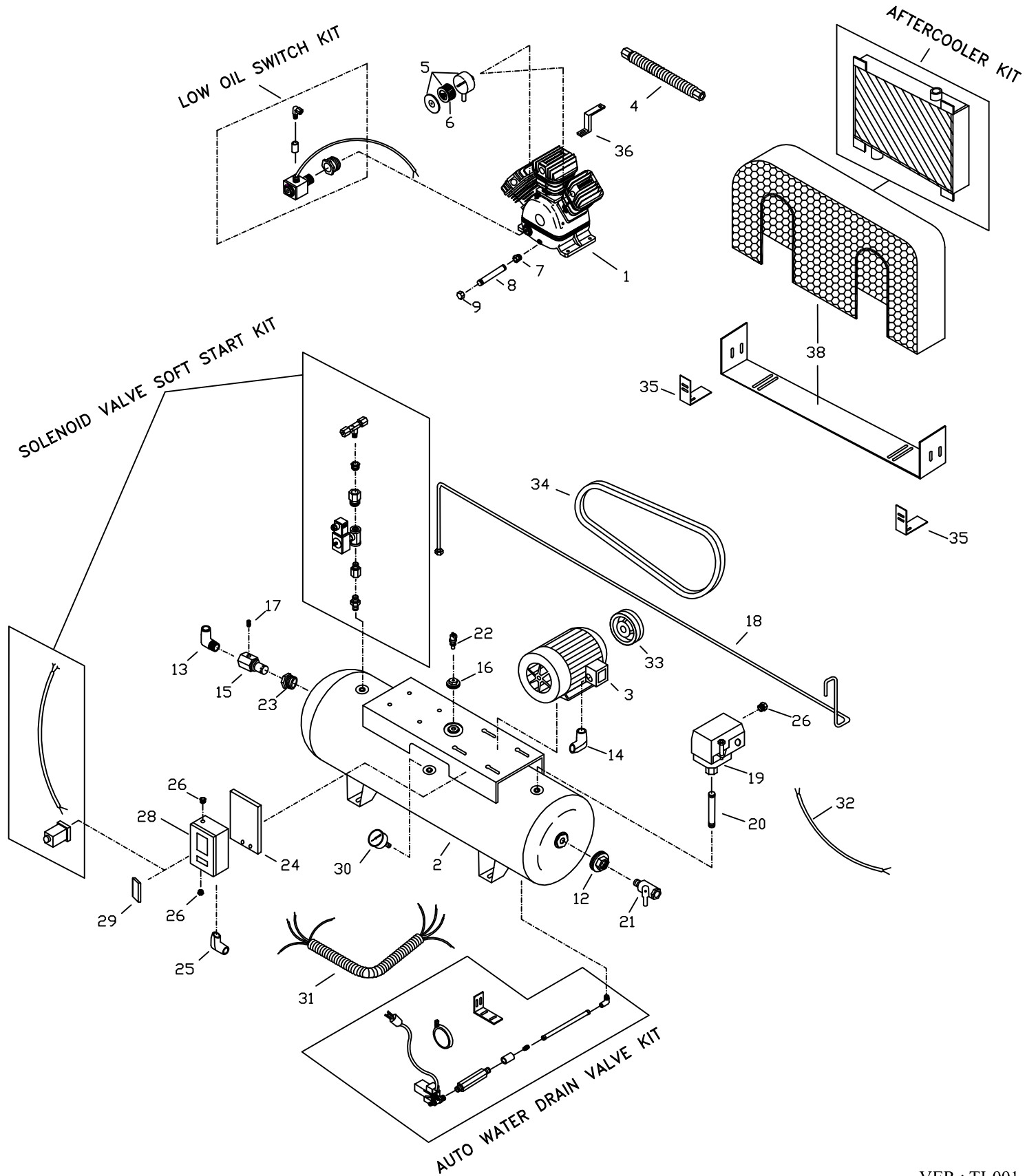


MODEL: AF-10P



PARTS LIST

Model: AF-10P

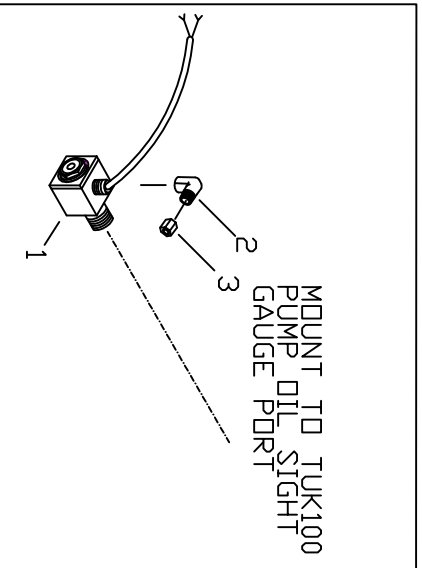
VER.: TI-001

REF. NO.	Component ID	Component Description	QUANTITY
1	TUK100	PUMP	1.00
2	4001-120H	TANK	1.00
3	4027-100-43	MOTOR (10HP THREE PHASE 230V)	1.00
4	2T02-100760	BRAID STAINLESS DISCHARGE TUBE	1.00
5	2140011	AIR FILTER ASSEMBLY	2.00
6	1809 (2142009)	FILTER ELEMENT	2.00
7	2N02-02T02NC	ADAPTOR	1.00
8	035-02NX54-R00	NIPPLE 1/4" X 5-1/2"L	1.00
9	046-02NBC-H00	OIL CAP	1.00
12	050-20MN04FN	BUSHING 2" - 1/2"	1.00
13	2N06-10T10H	ELBOW	1.00
14	025A-10N90D-00	WIRE CLAMP	1.00
15	CV1010M	CHECK VALVE: 1"	1.00
16	050-14MN02FN	BUSHING REDUCER 1-1/4" X 3/4"	1.00
17	035-02RN01MN-00	NIPPLE TUBE FITTING	1.00
18	063-CU01X2700	COPPER TUBE 1/8" (CHECK VALVE - PRESSURE SWITCH)	1.00
19	056-LF175P1-M01	PRESSURE SWITCH: 145-175 PSI (1 PORT)	1.00
20	2N01-008	NIPPLE	1.00
21	2413007	SERVICE VALVE 1/2" M/F	1.00
22	84006010	PRESSURE RELIEF VALVE: 200PSI	1.00
23	050-20MN10FN	BUSHING REDUCER 2" X 1"	1.00
24	3417010	BRACKET - M. S. MOUNTING PLATE	1.00
25	025A-06N90D-00	WIRE CLAMP 3/4"	1.00
26	025A-03N-000	WIRE CLAMP 3/8"	3.00
28	MS-100-3	MAGNETIC STARTER: 10HP SINGLE PHASE 230V	1.00
29	B-45	HEATER ELEMENT (FUSE)	3.00
30	2D12-25D20K	PRESSURE GAUGE	1.00
31	025K-A08W1B-V003	ELECTRIC WIRE KIT (MAG. STARTER - MOTOR)	1.00
32	025K-A12W3-V000	ELECTRIC CABLE KIT (PRESSURE SWITCH - STARTER)	1.00
33	3BSD50	PULLEY	1.00
33	048A-SD13SS-000	PULLEY BUSHING	1.00
34	2N31-B69	V-BELT B69	3.00
35	3427008	BRACKET	2.00
36	008-HRS10WX13IN	BRACKET	1.00
38	006-48X30X8B-00	BELT GUARD	1.00
	064K-LOSK-V001	LOW OIL SWITCH KIT	1.00
	001K-AF10P-V001	BELT GUARD AFTER COOLER KIT	1.00
	022K-EDV-V004	AUTOMATIC WATER DRAIN VALVE KIT	1.00
	SVSTK-V014	SOLENOID VALVE SOFT START KIT	1.00

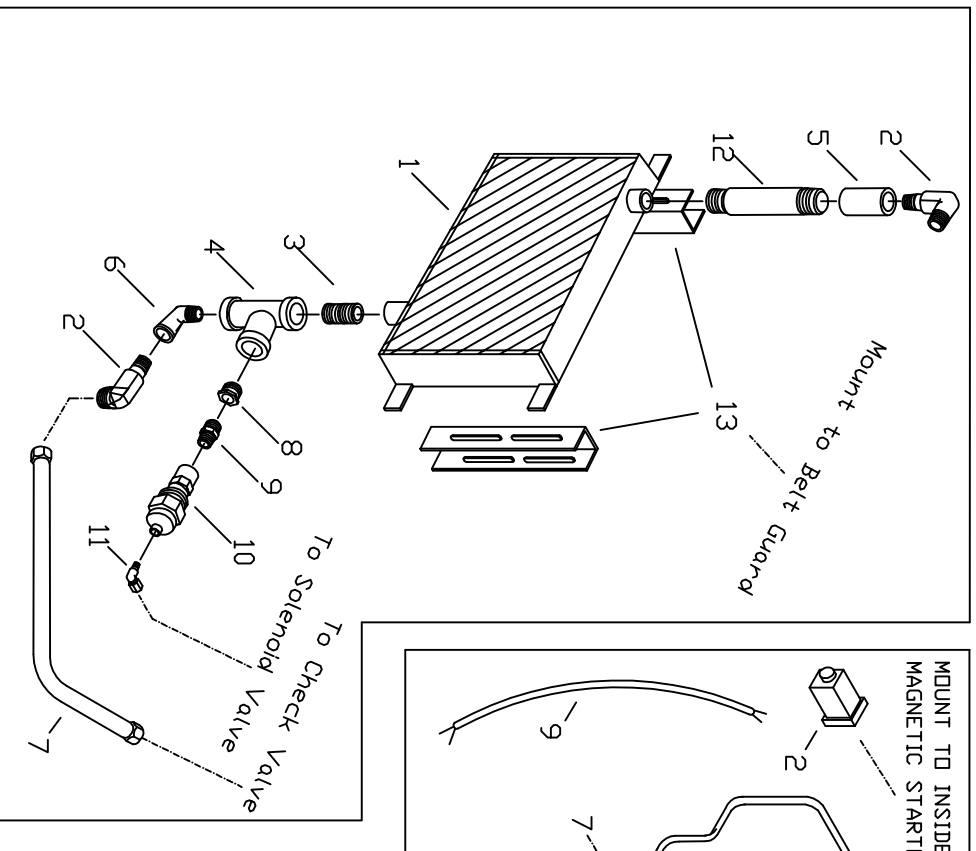
Premium Packages

Applicable to AF-10P & AF-10P/1PH VER.: TI-001

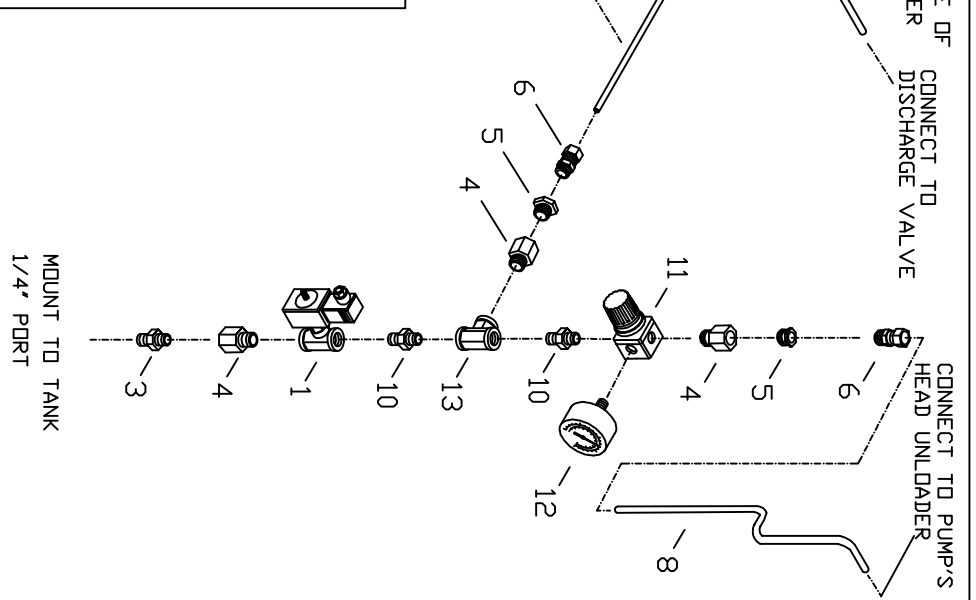
Low Oil Switch Kit



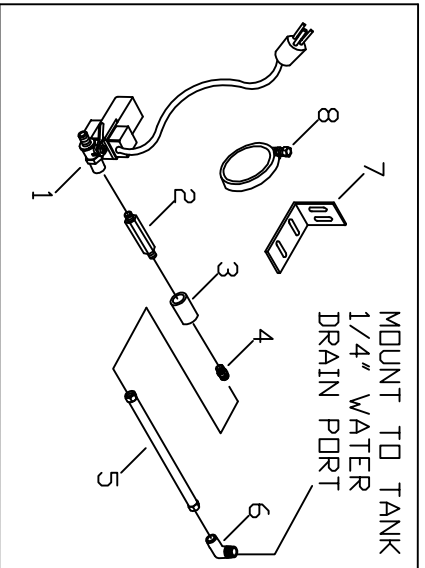
Belt Guard After Cooler Kit



Solenoid Valve Soft Start Kit



Automatic Water Drain Valve Kit



LOW OIL SWITCH KIT

VER.: TI-001

REF. NO.	ITEM NUMBER	DESCRIPTION	QTY.
1	3353101	LOW OIL SHUT OFF SWITCH (w/o Adaptor)	1
2	024-01MFN90D-00	STREET ELBOW	1
3	2N23-FW02	NUT	1

AUTOMATIC WATER DRAIN VALVE KIT

REF. NO.	ITEM NUMBER	DESCRIPTION	QTY.
1	2405302	AUTO WATER DRAIN VALVE w/ TIMER	1
2	2N01-008	NIPPLE	1
3	077-02N-000	COUPLING	1
4	035-03RN02MN-00	NIPPLE	1
5	063-NL03X300	SOFT TUBE	1
6	024-03RN02MN-00	ELBOW (MOUNT TO DRAIN PORT OF TANK)	1
7	3427028	BRACKET	1
8	063C-M51-001	CLAMP	1

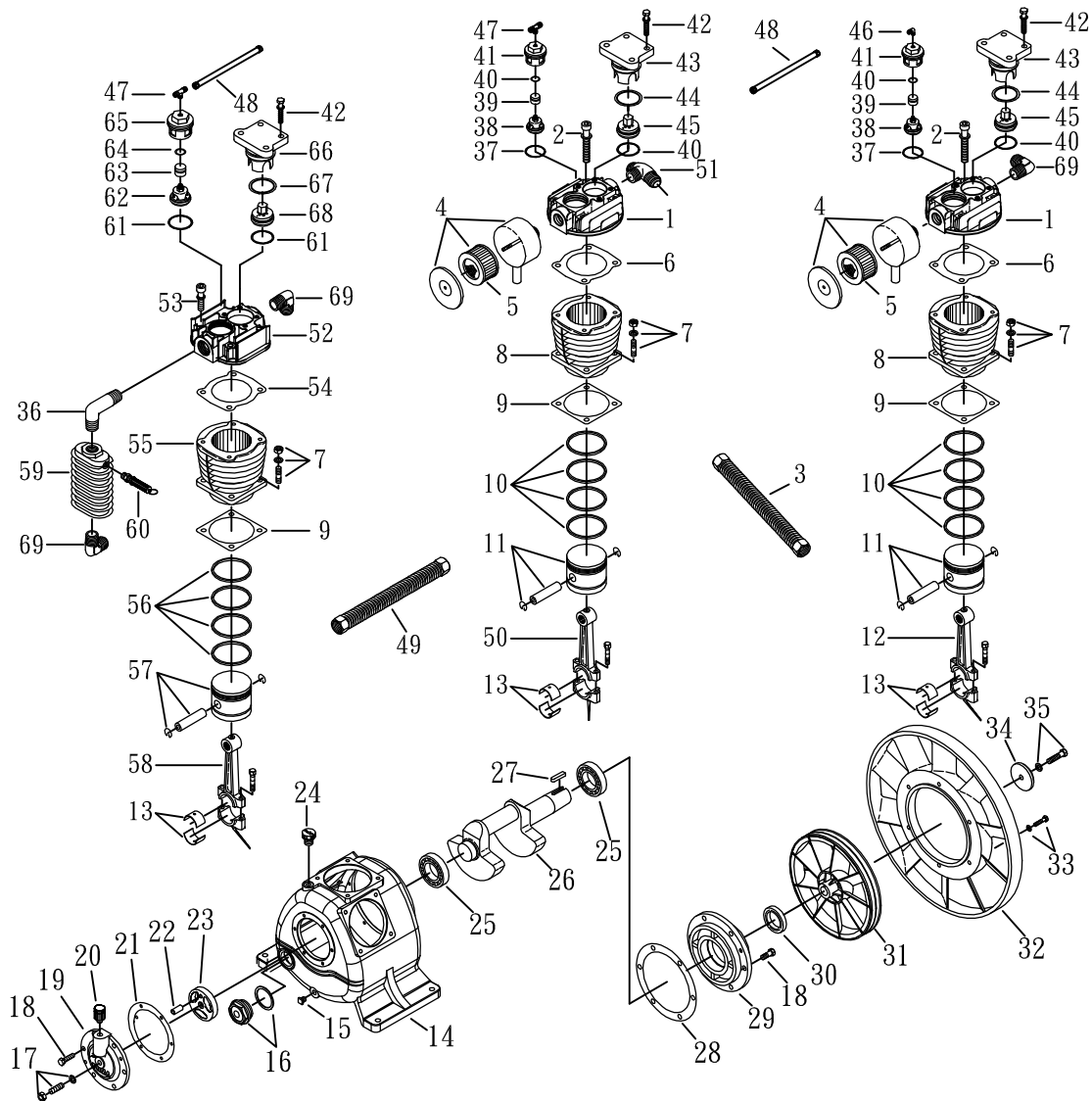
BELT GUARD AFTER COOLER KIT

REF. NO.	ITEM NUMBER	DESCRIPTION	QTY.
1	001-020CFM-002	AFTER COOLER (w/ 1" Inlet & Outlet Ports)	1
2	2N06-10T10H	DISCHARGE ELBOW	2
3	035-10N-C00	CLOSE NIPPLE	1
4	067-10FFN04FN-0	TEE	1
5	077-10N-000	COUPLING	1
6	024-10MFN90D-00	STREET ELBOW	1
7	2T02-100760	DISCHARGE TUBE	1
8	050-04MN02FN	REDUCE BUSHING	1
9	035-02NX10-H00	NIPPLE	1
10	041-DV20RC-000	DISCHARGE VALVE	1
11	024-02RN01MN-00	ELBOW	1
12	035-10NX70-R00	CONNECTING PIPE	1
13	3421002	MOUNTING BRACKET	2

SOLENOID VALVE SOFT START KIT

REF. NO.	ITEM NUMBER	DESCRIPTION	QTY.
1	2E20-118	SOLENOID VALVE	1
2	2D22-001	TIMER	1
3	035-02NX10-H00	NIPPLE	1
4	2N02-02T02NC	ADAPTOR	3
5	050-02MN01FN	BUSHING REDUCER (1/4" X 1/8")	2
6	035-02RN01MN-00	NIPPLE TUBE FITTING	2
7	063-CU01X400	TUBE (#7 Tee to Discharge Valve)	1
8	063-CU01X220	TUBE (#8 Tee to Pump's Head Unloaders)	1
9	2E02-073150MX1600	ELECTRIC CABLE (Solenoid Valve to Timer)	1
10	2N01-001	NIPPLE	2
11	2408003	REGULATOR (Set @ 85 PSI)	1
12	2D12-15D11K	PRESSURE GAUGE	1

MODEL : TUK-100



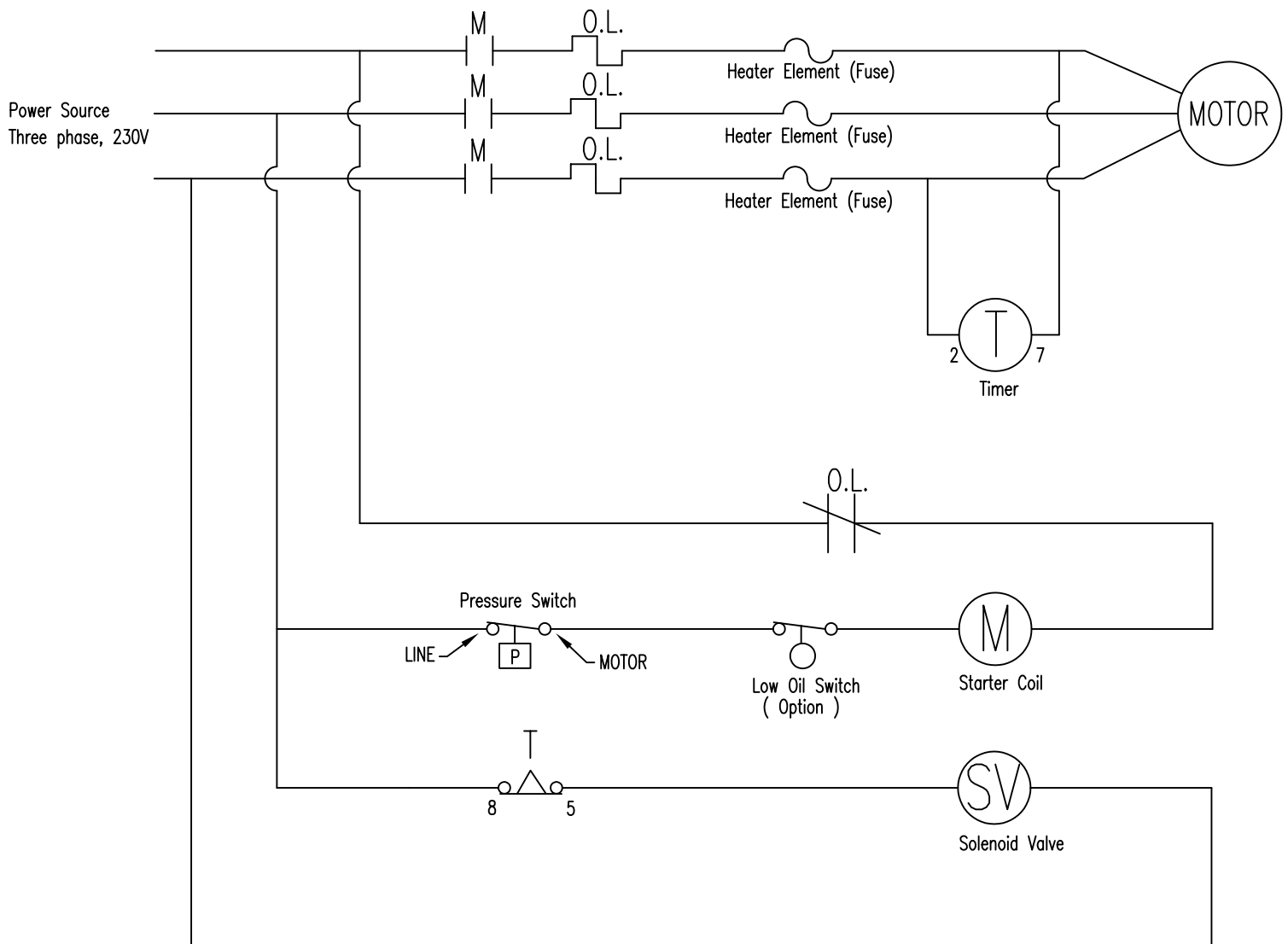
SPARE PARTS LIST

NO : MP-1005

REF. NO.	DESCRIPTION	PART NO.	QTY.	REF. NO.	DESCRIPTION	PART NO.	QTY.
1	Cylinder head	3101049	2	36	Exhaust elbow	2N06-10T10T92	1
2	Allen bolt set	2B01-M12*065V	8	37	Inlet/Exhaust washer	2B31-002	4
3	Exhaust tube set	3B2-10*245	1	38	Inlet valve assembly	3B12-PU75	2
4	Air filter	2140011	2	39	Unloading piston	2113010	2
5	Filter element	2142009	2	40	O-ring	2N52-P21V	2
6	Cylinder head gasket	2G01-008	2	41	Inlet valve holder	3110010	2
7	Double head bolt set	2B11-004-A	12	42	Allen bolt set	2B00-SM08*030V	12
8	Cylinder	3201016	2	43	Exhaust press plate	3126005	2
9	Cylinder gasket	2G04-010	3	44	O-Ring	2N52-G55V	2
10	Piston ring set	3B32-100N	2	45	Exhaust valve assembly	3B11-HL75	2
11	Piston set	3B31-100L	2	46	Unloading elbow	2N16-C02TW02M	1
12	Rod set	3B33-P7567	1	47	Unloading 3-way pipe	2N17-CW0201TW2M	2
13	Rod bush	2316002-B	3	48	Unloading tube set	3B2-02*475N	2
14	Crankcase	3301129	1	49	Exhaust tube set	3B2-10*570	1
15	Oil draining plug	2N33-002	1	50	Rod set	3B33-P7568	1
16	Oil sight gauge set	2303015A	1	51	Exhaust 3-way pipe	2N09-10H10T10H3	1
17	Bolt set	3B07-SM16*40-A	1	52	Cylinder head	3101050	1
18	Hexagon bolt	2B00-SM10*025	12	53	Allen bolt set	2B01-M10*055V	4
19	Front bearing seat	3309042P	1	54	Cylinder head gasket	2G01-007	1
20	Breathing cover	2321008	1	55	Cylinder	3201013	1
21	Front bearing seat gasket	2G05-009	1	56	Piston ring set	3B32-70N	1
22	Pin	2N41-003	1	57	Piston set	3B31-T70	1
23	Thrust block	3312006	1	58	Rod set	3B33-TKA071	1
24	Oil filling plug set	2319004A	1	59	Spare tank	3125002	1
25	Bearing	2N35-32210	2	60	Pressure relief valve	2406020T	1
26	Crankshaft & balancer	3304027	1	61	Inlet/Exhaust washer	2B31-001	2
27	Pulley key	2N47-10*8*40	1	62	Inlet valve assembly	3B12-PU23	1
28	Rear bearing seat gasket	2G06-003	1	63	Unloading piston	2113009	1
29	Rear bearing seat	3311037	1	64	O-Ring	2N52-P18V	1
30	Oil seal	2N50-TC50*72*12	1	65	Inlet valve assembly	3110008	1
31	Pulley	3PBF-115B350	1	66	Exhaust press plate	3126004	1
32	Fly wheel	3PBF-516*228	1	67	O-Ring	2N52-G45V	1
33	Hexagon bolt set	3B00-SM08*035AV	6	68	Exhaust valve assembly	3B11-NPP23	1
34	Plate washer	2B34-13*75*13	1	69	Exhaust elbow	2N06-10T06H	3
35	Hexagon bolt set	3B00-SM12*050V	1				

Warning: This diagram is for your reference only. Please check with a qualified electrician for wiring to meet your local electrical wiring code. Manufacturer assumes no responsibility for changes to factory wiring.

Electrical Circuit Diagram:



Instructions

1. This unit was configured to use **230V, 3 Phase** power.
2. The turning directions of Electric Motor and Pump must be **Clockwise** if you face from the front side (the side with ATLAS label) of the unit.
3. Make all electrical wirings inside this box (Starter) only.